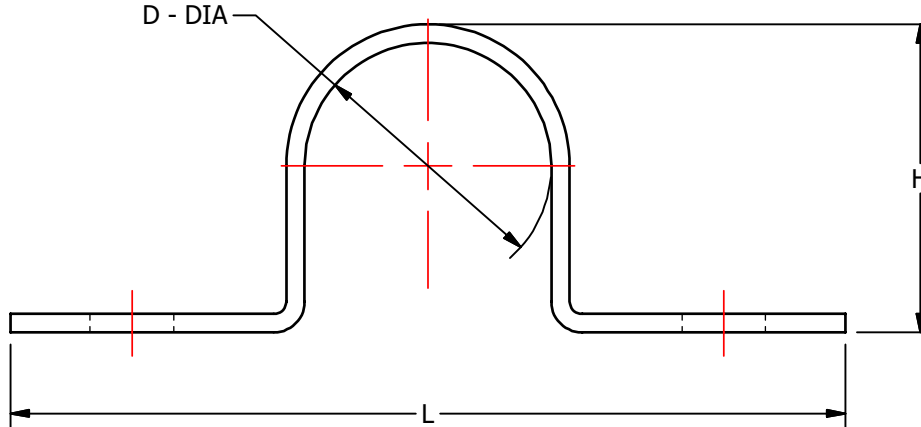
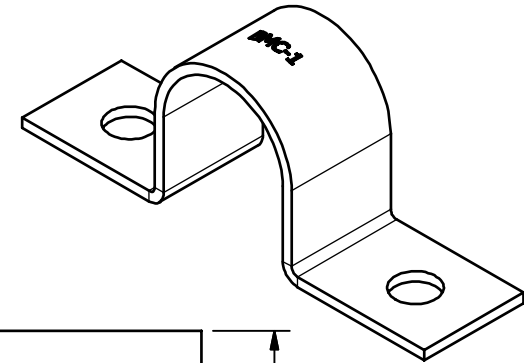
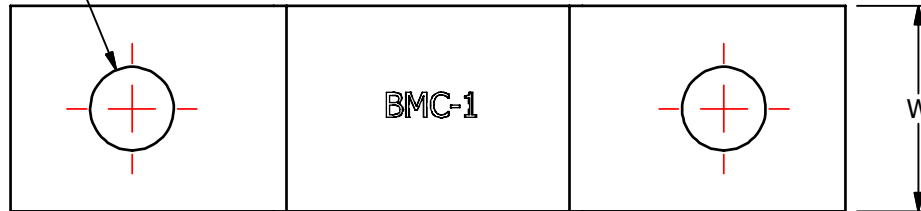
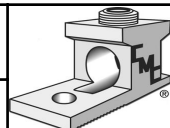


S.NO	CATALOG NUMBER	L	H	W	D
1	BA3CS-1	4.06 [4.06]	1.50 [38]	1.00 [25]	1.20 [30]
2	BA3CS-2	5.06 [129]	2.50 [64]	1.00 [25]	2.19 [56]
3	BA3CS-3	6.80 [173]	3.26 [83]	1.00 [25]	3.50 [89]
4	BA3CS-3.5	6.63 [168]	3.91 [99]	1.00 [25]	3.19 [81]
5	BA3CS-4	7.00 [178]	4.50 [114]	1.00 [25]	4.00 [102]
6	BA3CS-5	9.50 [241]	5.50 [140]	1.00 [25]	6.70 [170]
7	BA3CS-6	10.5 [267]	6.00 [152]	1.19 [30]	7.75 [197]

DIA .41
[10]
(2 PLACES)



MATERIAL: ALUMINUM

					TO ORDER CMC PRODUCTS	DRAWN BY: TS 03-19-20	NAME OF PART: CONDUIT STRAP	CAT. NO.: SEE TABLE
					UNITED STATES 1-513-860-4455	CHECKED BY:	DWG NO: UB20700179-S (CHARTED)	A
					CANADA 1-800-361-6975	DRAWING NOT TO SCALE		SHEET NO: 1 OF 1
					MEXICO 011-52-722-265-4400			
A	NEW DRAWING CREATED		03-19-20	TS	FOR PRODUCT INFO www.cmlugs.com			
REV.	DESCRIPTION	ECN	DATE	INIT.				

THIS INFORMATION IS PROPRIETARY TO CONNECTOR MFG. CO. AND IS NOT TO BE DISCLOSED OUTSIDE OF CONNECTOR MFG. CO. WITHOUT A CONFIDENTIALITY AGREEMENT



CONNECTOR MANUFACTURING CO.

HAMILTON, OHIO